

PART NO.

27156A

DESC

MTG FITTING W/RECEPT (MS3101A-20-15S)

1

1

PART NO

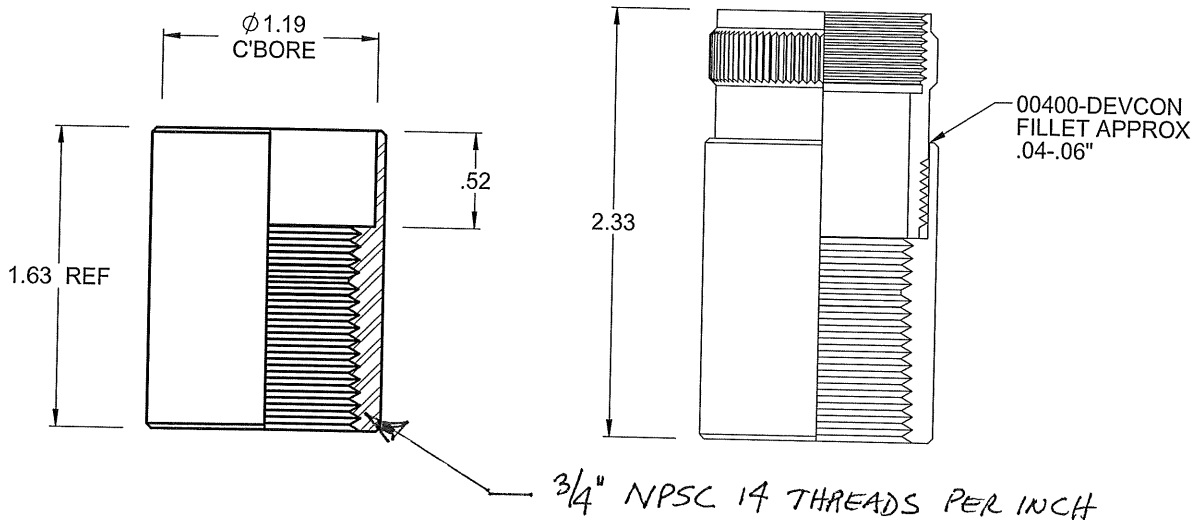
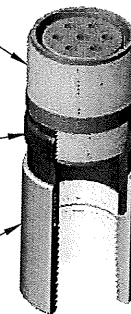
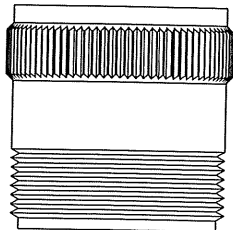
27156A

DESC

MTG FITTING W/RECEPT (MS3101A-20-15S)

27021  
SENSOR RECEPTACLE-7 SOC  
(MS3101A-20-15S)

RECEPTACLE SHELL

00247-0204  
PIPE COUPLING 3/4"

-	11/29/10	REDRAWN	---	MRK
A	06/01/95	RELEASE	---	MAY

UNLESS OTHERWISE SPECIFIED  
DIMENSIONS ARE IN INCHES

INCH	METRIC
.X ± .020	X. ± .5mm
.XX ± .010	.X ± .25mm
.XXX ± .002	.XX ± .05mm
ANGLES ± 2°	[MM] REF ONLY

DRAWN  
JMT 11/29/10CHECK  
MAY 11/29/10DESIGN  
MAY 06/01/95PLANNER  
MACR. M. YOUNG COMPANY  
TRAVERSE CITY, MI U.S.A.PART NO./  
DESCRIPTION27156A  
MTG FITTING W/RECEPT (MS3101A-20-15S)MAT AS NOTED ON PRINT  
BOM ON ROUTINGWC  
GMA-10

SIZE DWG NO

A P27156A(A)

REV  
AREV DATE  
06/01/95FINISH  
AS  
MACHINEDPROD CODE  
MASCALE  
NONEPROD DATE  
06/01/95PROPERTY OF R.M. YOUNG COMPANY  
DO NOT DUPLICATE