

# Rittal – The System.

Faster – better – everywhere.

## ► Technical System Catalogue – Compact Enclosures AE



ENCLOSURES

POWER DISTRIBUTION

CLIMATE CONTROL

IT INFRASTRUCTURE

SOFTWARE & SERVICES

FRIEDHELM LOH GROUP



# Compact enclosures AE



The original – with global approvals and available in stock for immediate shipping. Countless practical sizes and functional system accessories for all common applications make the AE compact enclosure the standard solution.

- 1** Optimum corrosion protection due to triple-treated housing surfaces
- 2** Permanently high protection category due to seamlessly foamed-in PU seal
- 3** Perfect protection from multi-folded enclosure protection channel preventing the ingress of dirt and water when the door is opened
- 4** Effortless wall-mounting thanks to rear panel with holes, prepared for wall mounting bracket or direct wall mounting
- 5** Maximum flexibility for cable entry with sheet steel gland plates for self-population or option to exchange for prepunched plates
- 6** Individual depth population with rails for interior installation
- 7** Quick-swap door hinge with no need for machining in single-door enclosures
- 8** Perforated mounting strips on the door enable quick and easy mounting of accessories such as support strips or cable conduit holders

# Compact enclosures AE

## Internationally recognised approvals and certifications

Rittal products boast a wealth of internationally recognised approvals and certifications and comply with the most exacting and globally recognised quality standards.

- All components are subjected to the most stringent testing in accordance with international standards and regulations
- The consistently high product quality is ensured by a comprehensive quality management system
- Regular production inspections by external test institutes guarantee compliance with global standards

All current approvals and certifications can be found on the Rittal website.



## CAD data

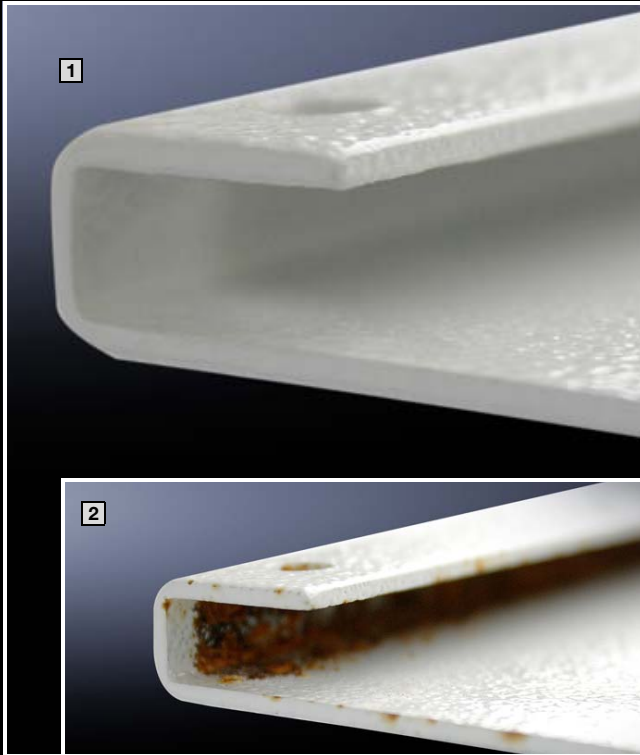
Using the RiCAD 3D online CAD component library, Rittal offers engineering, climate control, IT and power solutions for the widest range of enclosures and applications from a single source.

With professional data for every CAD system, the efficiency of your system design is increased and assembly times are reduced.

- CAD data is also available as an app for reference on the move or from the Rittal website
- Data can be requested via e-mail
- Choose from over 70 CAD formats
- Direct link to the relevant page in the latest Rittal Catalogue for an "all-in-one" solution
- Optimum planning confidence through accurate and validated drawings
- By dispensing with the need for lengthy remodelling, time-savings are achieved



# Compact enclosures AE



## Optimum surface protection

Triple surface treatment provides optimum protection against corrosion.

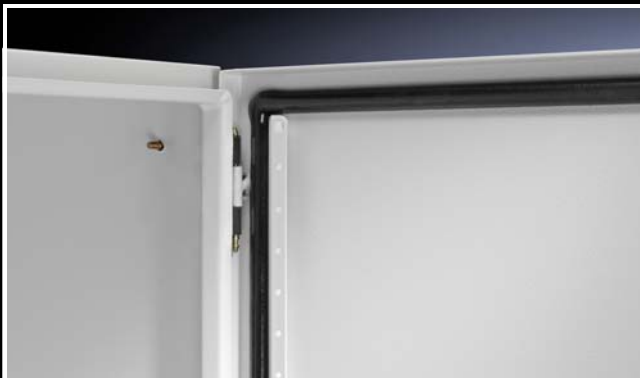
Maximum quality is achieved in three stages:

1st phase: Nanoceramic primer

2nd phase: Electrophoretic dipcoat-priming

3rd phase: Textured powder-coating

- 1 Plate with triple surface treatment (Rittal Standard) after a 180-hour salt spray mist test
- 2 Metal powder-coated only following a 180-hour salt spray mist test



## PU foam seal

- Seamlessly foamed-in
- Temperature resistant from  $-20^{\circ}\text{C}$  to  $+80^{\circ}\text{C}$
- May be over-painted and briefly stove-enamelled at up to  $180^{\circ}\text{C}$



## Earthing

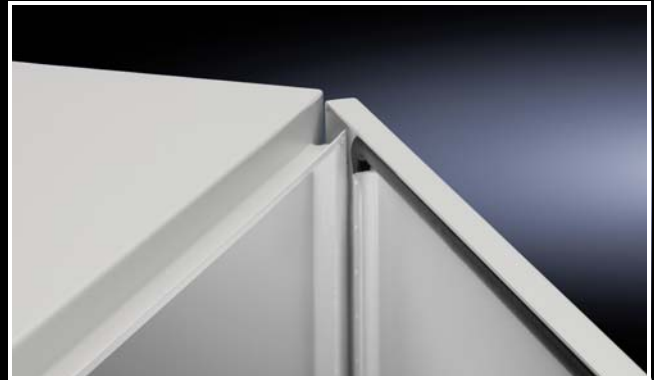
- Easily accessible earthing bolt on the body
- Door earthing via perforated door strip
- Earth straps in various cross-sections and lengths available as accessories

# Compact enclosures AE

---

## Housing protection channel

- Specifically designed to remove water, so that moisture does not collect against the seal
- Housing return edge with continuous protection channel prevents the ingress of dust and dirt when the door is opened
- Multi-folded protection channel also ensures a high level of stability with the housing fully opened
- Additional protection for the high-quality PU foam seal



---

## Mounting plate

- Simple one-person assembly even with free-standing enclosures, by screwing a combination bolt and lock nut into position



---

## Perforated door strips

- For universal door installations
- For secure cable routing from the door to the enclosure



---

## Interchangeable door hinge

- The door hinge is easily swapped to the opposite side in single-door enclosures
- No machining required, since the holes are pre-integrated and sealed with stoppers



# Compact enclosures AE



## Gland plate

- Sheet steel gland plate for simple machining, supplied loose
- Integrated, automatic potential equalisation via earthing inserts
- May be exchanged for gland plates with metal or plastic knockouts for simple, fast cable routing



## Mounting block

- For the assembly of punched rails, top hat rails and C rails (e.g. for a second mounting level)
- For secure cable routing from the door to the enclosure



## Lock

- Large range of different lock systems
- Cam can be exchanged for:
  - Mini comfort handle or Ergoform S handle
  - Plastic handles
  - T handles
  - Lock inserts
  - Lock cylinder inserts
- Many other variants such as:
  - Sealed lock cover
  - Cover for padlocks/multi-locks
  - Semi-cylinder lock possible
- May be exchanged for Ergoform S handle



# Compact enclosures AE

## Equipped for practical use

Depending on the chosen version, AE compact enclosures are prepared for:

- Use of eyebolts
- Wall mounting
- Base/plinth mounting



## Design variants

AE compact enclosures are also available in the following variants:

- Stainless steel
- For applications in potentially explosive zones
- Machine-integrated compact enclosures

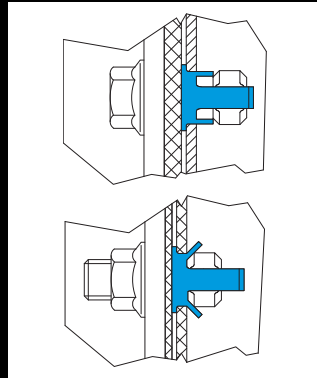


# Accessories



## Interior installation rail

- Retrospective interior installation without machining
- Allows time-saving mounting on the sides, base and roof areas
- Variable with two rows of TS 8 system punchings, creates additional mounting space
- TS 8 system punchings allow TS 8 accessories to be used
- Automatic potential equalisation
- May still be fitted after installation of the mounting plates
- Mounting option for door-operated switch and door stay



## Wall mounting brackets

- For fast, time-saving attachment to the enclosure from the outside
- Simply insert the expandable dowel into the housing hole from the outside, and screw-fasten the wall bracket from the outside. Transport the pre-configured housing to the installation site and secure the wall bracket without opening the housing



## Baying kit

- For baying AE wall-mounted housings
- Special screws and nuts for fast, simple assembly without thread-tapping
- Sealing foam with a pre-defined size ensures a permanent seal between the enclosures
- Comprised of bayable self-adhesive sealing elements and corner pieces, for individual adaptation to various housing sizes



# Accessories

## Rain canopy

- Reinforces protection against the influence of weather in protected outdoor areas
- Roof slope prevents liquid from collecting



## Door variants

- Coordinated range of viewing windows and operating panels
- Glazed doors with full viewing window to replace the standard door
- Operating panel to accommodate buttons, switches or display devices
- Viewing window for display panel to protect the installed equipment



## Cable entry

- Gland plates with knockouts in sheet steel and plastic
- Gland plates with membranes for a broad spectrum of cable diameters
- Connector gland for fitting preassembled connectors with a high protection category
- Metric cable glands made from brass and plastic



# Rittal – The System.

**Faster – better – everywhere.**

- Enclosures
- Power Distribution
- Climate Control
- IT Infrastructure
- Software & Services

